



# HOLEMAKING

## Knockout Punch and Die Set 156 — 2 1/2" to 4"

- 4 point punch design for easy slug removal
- Fast set-up
- High strength steel punches and dies for long life
- Designed to punch a maximum of 10 gauge ( .134" ) mild steel
- Compare with Greenlee® Model 7304\*
- Metal case
- Made in the USA



Catalog Number	Description	Weight	UPC
156	2 1/2" – 4" Knockout Punch and Die Set	25 lbs.	811993021329

\*Greenlee® is a registered trademark of Greenlee Tools, Inc.

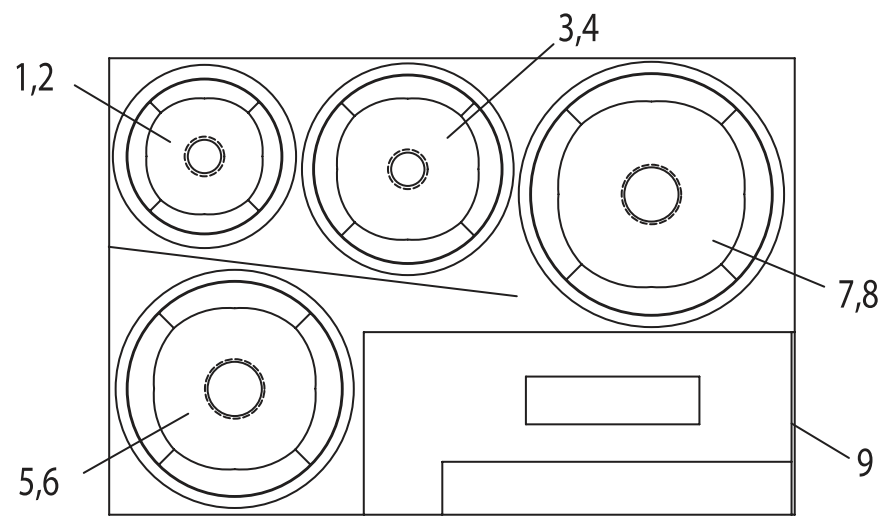


**Current Tools**  
FOR THE PROFESSIONAL ELECTRICIAN

[www.currenttools.com](http://www.currenttools.com)

P.O. Box 17026 • Greenville, SC 29606 • 864.721.4230 • fax 864.721.4232 • 800.230.5421

# Knockout Punch and Die Set 156 — 2 1/2" to 4"



Item Number	Catalog Number	Qty	Description	
1	1566	1	2 1/2" Punch	UPC 811993021121
2	1567	1	2 1/2" Die	UPC 811993021138
3	1568	1	3" Punch	UPC 811993021145
4	1569	1	3" Die	UPC 811993021152
5	1570	1	3 1/2" Punch	UPC 811993021169
6	1571	1	3 1/2" Die	UPC 811993021176
7	1572	1	4" Punch	UPC 811993021183
8	1573	1	4" Die	UPC 811993021190
9	1504	1	Metal Storage Box	UPC 811993021206