

ISO 9001
KOHLER
 NATIONALLY REGISTERED



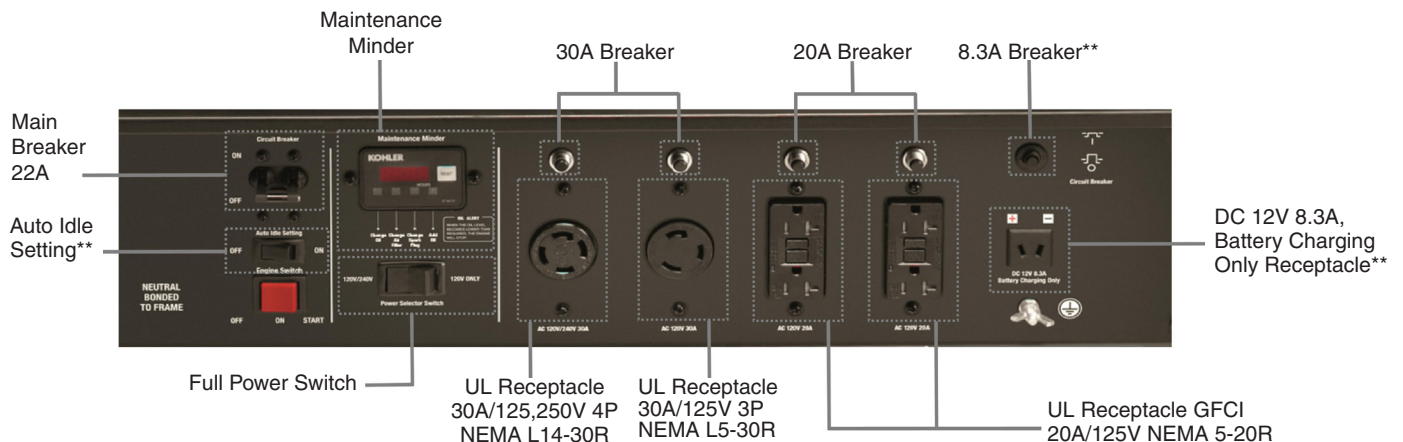
The KOHLER Advantage

- Built to Last Since 1920**
 For over 100 years, hospitals, airports and military bases around the world have depended on KOHLER generators.
- Premium Warranty**
 You get our premium 3-year limited warranty backed by a network of more than 10,000 dealers.
- Free Loaner Program***
 If your KOHLER generator ever goes down, just swing by one of our select dealers. We'll provide a free loaner unit for warranty repairs exceeding 24 hours.

Standard Features

- Pro-Grade Engine**
 This portable generator is powered by a KOHLER Command PRO® engine, designed and proven professional grade power.
- Easy Refills**
 Accu-Fill™ feature provides safe, easy refilling – and less spilling – with angled fuel inlet.
- Extra Engine Protection**
 Oil Sentry™ automatically shuts engine down in low-oil conditions.
- Easy Reminders**
 Maintenance Minder displays hours of run time and lights up to remind you of oil/spark plug/filter changes.
- GFCI Outlets**
 Ground-fault circuit interrupter detects unbalanced electrical current and safely shuts down power.
- Safeguards Your Investment**
 Automatic voltage regulator keeps voltage consistent to avoid surges or other damage.
- Fuel Saver****
 Auto-idle feature automatically set the engine to idle to save fuel.
- Tri Fuel Capable**
 Tri Fuel Conversion Kit gives the customers fuel flexibility and convenience with Kohler portable generators.
- Included U-Spec™ Accessories**
 Wheel Kit, Leg Kit and Wheelbarrow Handle Kit

Control Panel



* At participating dealers, based on availability.
 ** Featured only in model PRO6.4E

Specifications

Model Name	PRO6.4	PRO6.4E
Model spec	PA-PRO64-2002 PA-PRO64-3002	PA-PRO64E-2002 PA-PRO64E-3002
Compliance	EPA 49-State (2002 Spec only) EPA/CARB 50-State (3002 Spec only) CSA (All specs)	
AC rated output (running watts)	5,200	
AC maximum output (motor starting watts)	6,400	
AC voltage	120/240	
AC frequency (Hz)	57-63	
Total Harmonic Distortion	≤ 6%	
Rated VAC amperage	21.7/43.3	
Max rated amperage	26.7/53.3	
Engine displacement	277cc	
Fuel type	Unleaded Gasoline up to E10	
Engine RPM	3600	
Recommended oil	SAE30	
Automatic voltage regulation	Yes	
Choke location	Manual on engine	
Fuel shut off	Manual valve at tank	
Starting method	Recoil only	Recoil and Electric
Low oil shutdown method	Low level	
Neutral	Neutral Bonded to Frame	
Start switch type	Toggle Type Off-On Toggle (Red)	Toggle Type Off-On-Start (Red)
Switch location	On control panel	
Fuel gauge	Yes	
Fuel tank capacity	8 gal/30 liters	
Run time @ 50% (hours)	>15	
Battery Type	Sealed AGM	
Warranty - Residential	3 years	
Warranty - Commercial	3 years	

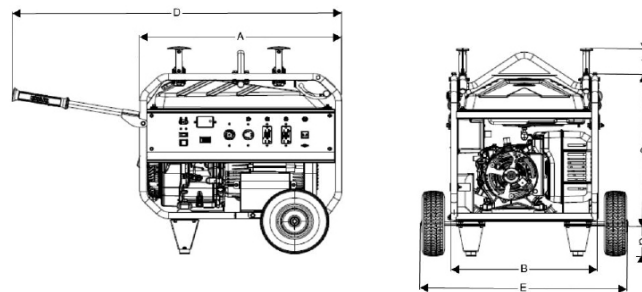
* Dimensions and weights associated with -3002 models

Additional available U-Spec™ Accessory System Options

- Auto-Locking Hand Truck Handle Kit
- Lifting Kit
- Extension Cord Management Kit
- Isolator Kit
- 12 Volt Battery Charger Cable
- Manual Transfer Switch
- Tri-Fuel Regulator Kits
- Tri-Fuel Hose Kits

Generator Set Dimensions and Weights

A mm (in.): 747 (29.4)	Carton Length mm (in.): 777 (30.6)
B mm (in.): 544 (21.4)	Carton Length mm (in.):* 778 (31)
C mm (in.): 566 (22.3)	Carton Width mm (in.): 572 (22.5)
D mm (in.): 1219 (48)	Carton Height mm (in.): 599 (23.6)
E mm (in.): 762 (30)	Shipping Weight lbs (kg):
F mm (in.): 114 (4.5)	PRO6.4: 178 (81)
G mm (in.): 140 (5.5)	PRO6.4*: 196 (89)
Unit Weight lbs (kg):	PRO6.4E: 201 (91)
PRO6.4 : 174 (79)	PRO6.4E*: 218 (99)
PRO6.4E: 198 (90)	



NOTE: Dimensions are provided for reference only and should not be used for planning installation. Contact your local distributor for more detailed information.

Availability is subject to change without notice. The generator set manufacturer reserves the right to change the design or specifications without notice and without any obligation or liability whatsoever

DISTRIBUTED BY:



© 2017 Kohler Co. All rights reserved.