



FS-EX5501-5

SafeLink Anchor Post

FEATURES :

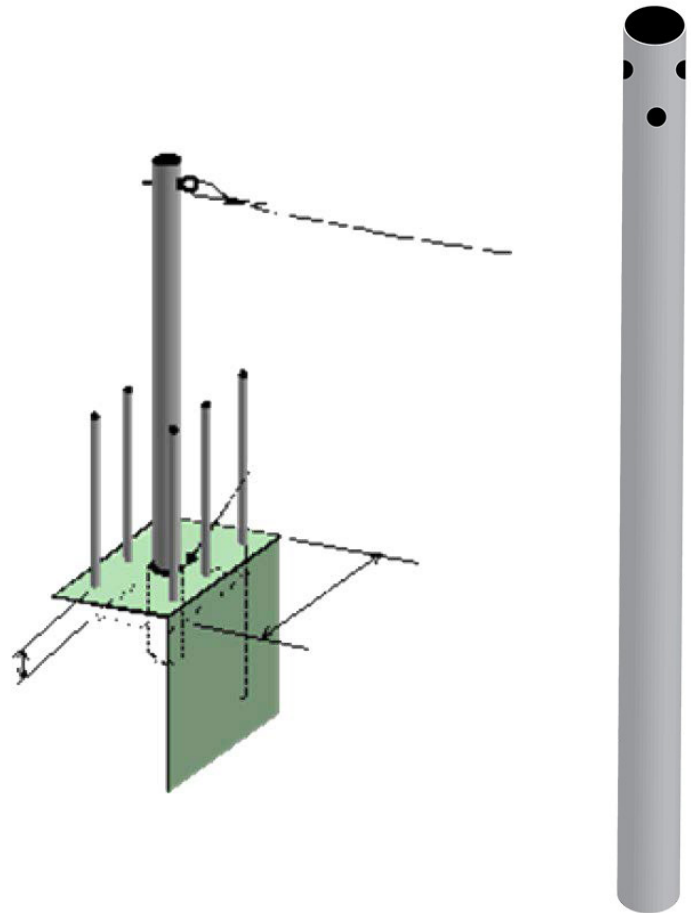
- Elevates the cable for overhead attachment
- Requires the use of the FS-EX2508 eye-bolt (not included)
- Length: 7-1/2' (2.3 m)
- Wall Thickness: 1/2" (12.7 mm)
- Outside Diameter: 3-1/2" (88.9 mm)
- System Capacity: Up to 1240 lbs.
- Minimum Breaking Strength: 5,000 lbs.

FALL ARREST POINT(S) :

- N/A

ITEM WEIGHT :

- 40.5lbs (18.4kg)



USER WEIGHT CAPACITY	
ANSI	130-310lbs (140.6kg)
OSHA	N/A

STANDARD COMPLIANT WITH	
ANSI	N/A
OSHA	1926.502

SIZE(S)	
N/A	

COMPONENT	MATERIAL SPECIFICATION
Anchor Post	6061T6 Aluminum Tube